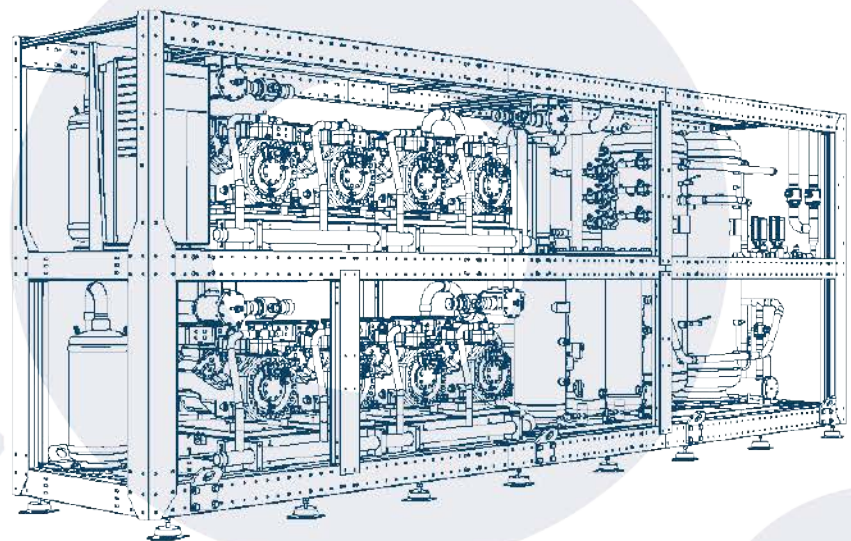
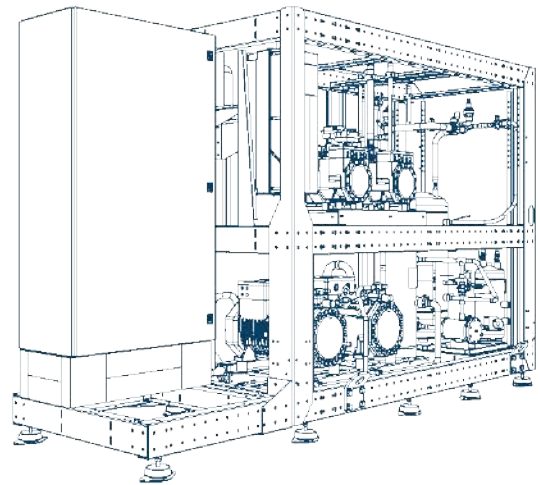
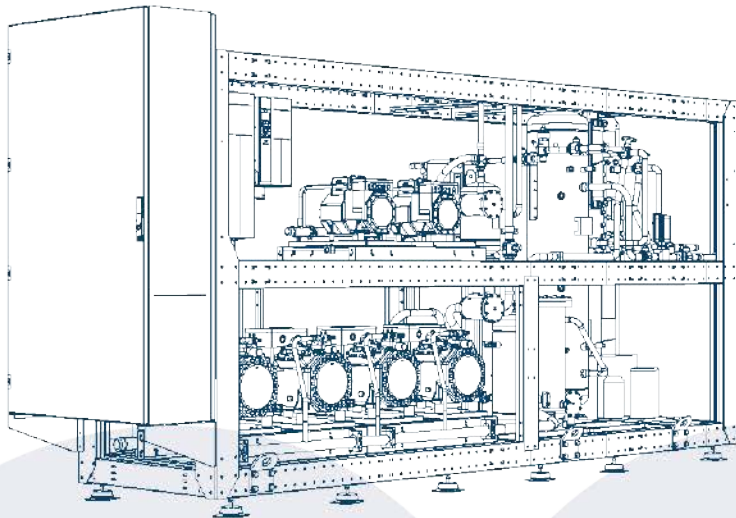




BOOSTER

Sustainable **Cold Solutions**

CO₂ transcritical racks



A **BEIJER REF** Company

Eng-Ita

Our **Hi-Technology Boosters** require an **Hi-Quality Process**



High definition and detailed 3D renders

Specialized workers in each production phase



Lean Production



High skills and experience for installation in place



LEAN BOOSTER

Convenience Stores / Small Supermarket

Capacity Range MT 15-100 kW | LT 3-20 kW

The lean line is a range of CO₂ units in configuration as mt only or in booster MT/LT featuring the following:

- Easy access to components only from one side (possibility to install the unit against a wall);
- Available in indoor or «plug'n cool» version.



BOOSTER SMKT

Supermarket / Hypermarket

Capacity Range MT 75-350 kW | LT 15-75 kW

The smkt line is a range of CO₂ units in configuration as mt only or booster MT/LT. The high customization possibility and the optimization on the configuration and layout, make this range of unit the best option for medium large size supermarket.

- Electrical board mounted on short side
- Available in indoor, "walk-in" and "plug'n cool" version



BOOSTER INDUSTRIAL

Food Processes

Capacity Range 200-750 kW

The Industrial range is specifically designed for high refrigeration capacity in high customized applications. The use of 6 cylinder compressors with high efficiency motors allow to reach the highest performances in all the possible operating points. Options like hot gas defrost, heat recovery and ejectors make possible to suit all the industrial installations with the highest benefit for the end users.

- Electrical board mounted as back to back configuration
- Available in indoor, "walk-in" and "plug'n cool" version



Products / Applications Range

Commercial Refrigeration

- Small Shops
- Restaurants
- Catering
- Petrol Stations

- Convenience stores
- Express supermarkets

- Supermarkets
- Coldrooms for food storing

Industrial Refrigeration

- Food processes
- Hypermarkets
- Logistic Centers

BOOSTER - MWT

LEAN BOOSTER - MWL

SMART BOOSTER - MWS

Available Options

	SMART BOOSTER	LEAN BOOSTER	BOOSTER
	MWS	MWL	MWT
MAX number of Transcritical compressors (MT+IT)	2	3	8
MAX number of Subcritical compressor	2	2	6
Parallel Compressor	NA	Y	Y
Digital Capacity Modulation CRII	Y	Y	Y
Ejector liquid	NA	NA	Y
Ejector vapour	NA	NA	Y
Heat Recovery (TW)	Y	Y	Y
Heat Recovery (Heating)	NA	NA	Y
Outdoor Boxed unit	Y	Y	Y
Outdoor with integrated GC	NA	Y	Y
AC Load	NA	NA	Y
Mech. Sub cooler	Y*	Y*	Y
3-way Gas Cooler by-pass valve	NA	NA	Y
Back up Controller	NA	Y	Y

Y* = yes provided spare

